

DROPX MINI

MULTIPURPOSE GENERIC RELEASE PIN MECHANISM FOR DRONES

This little lightweight device can take your drone to a whole new level of use. A fully independent and easy to use system straps on to various drones and allows you to drag and drop elements anywhere.

APPLICATIONS

- ✕ Drop deliveries
- ✕ Target marking
- ✕ Gear transferring
- ✕ Sign dragging
- ✕ Emergency release pin

FEATURES & HIGHLIGHTS

- ✕ Compact, lightweight ridged design
- ✕ Easy "strap on" to DJI Mavic Pro, Mavic 2 and Mavic Air.
- ✕ Easily adaptable to any other drone
- ✕ Redundancy! Fully independent system - No power or communication consumed from the carrying drone.
- ✕ Small and handy operation remote.

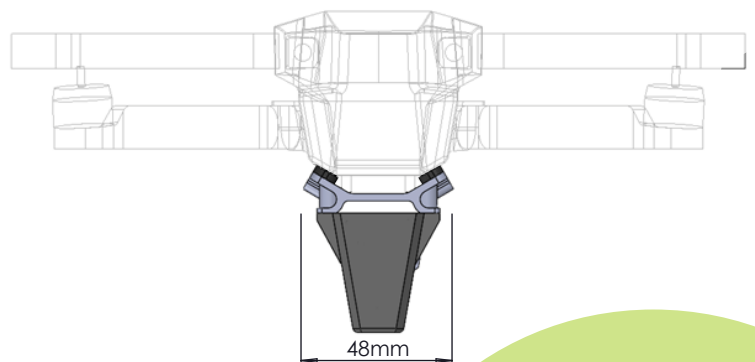
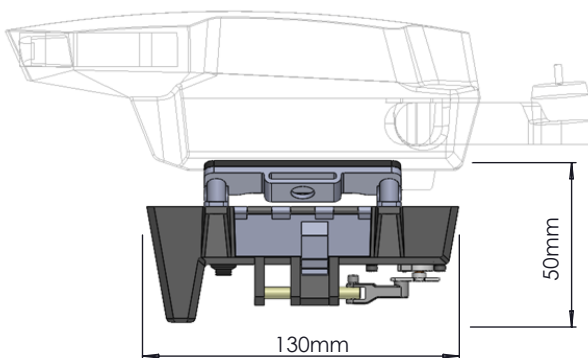


DROPX MINI



SPECIFICATION

External Size	130x50x48mm (not including drone adaptor)
Weight	145g (including Mavic adapter)
Screw pattern for drone adaptor	4xM3 screws 72x39.5mm
Max cargo weight	2kg (check your drone capabilities first)
Communication	Civilian 433Mhz
Operation	Single pulse, Single way
Range of operation	2500m (LOS, when drone is at 50m height)
Power	9v standard battery at both airborne unit and hand remote
Casing material	Nylon 12, UV resistant
Working temperatures	0-50°C
IP52	IP52



Important Notice: DropX will affect your drone's performance and is not recognized or certified by any drone manufacturer. Operate at your own risk and responsibility.

