

## DROPX BASE

MULTIPURPOSE GENERIC CARGO CASING FOR SMALL DRONES.



Turn your small drone to a cargo transporter! With DropX-Base you can fly safely with a belly cargo and drop it wherever you wish. Coming back home and landing becomes easy as DropX-Base becomes your landing gear. The DropX-Base device can take your drone to a whole new level of use. A fully independent and easy to use system straps on to various different drones and allows you to carry and drop your cargo anywhere.

### APPLICATIONS

- ✕ Drop deliveries
- ✕ Transfer essential gear
- ✕ Combat training
- ✕ Enemy acting technics
- ✕ Fly stealth at night and drop "glow in the darks" to mark an area or target

### FEATURES & HIGHLIGHTS

- ✕ Compact, lightweight ridged design
- ✕ Takeoff and landing as usual (not from hand)
- ✕ Self-opening cargo doors, regardless of what's inside
- ✕ Small and handy operation remote.
- ✕ Easy "strap on" to DJI Mavic Pro, Mavic 2 and Mavic Air. Easily adaptable to any other drone.
- ✕ Redundancy! Fully independent system - No power or communication consumed from the carrying drone.

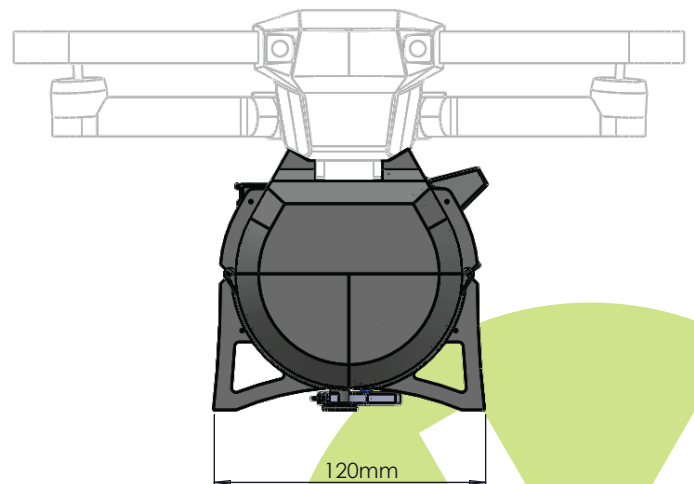
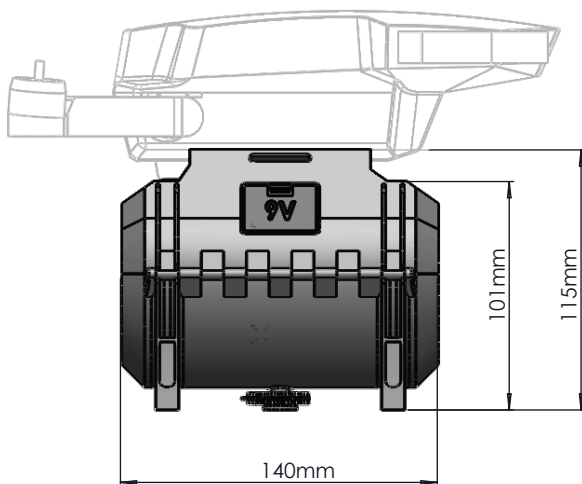


# DROPX BASE



## SPECIFICATION

External Size	140x120x115 (mm)
Weight	200g (including Mavic adapter)
Inner cargo compartment volume	~700cc
Mounting Screw pattern for other adapters	4xM3 screws, 72x39.5mm
Max cargo weight	2kg (check your drone capabilities first)
Communication	Civilian 433Mhz
Operation	Single pulse, Single way
Range of operation	2500m (LOS, when drone is at 50m height)
Power	9v standard battery at both airborne unit and hand remote.
Casing material	Nylon 12, UV resistant.
Working temperatures	0-50°C
IP52	IP52



Important Notice: DropX will affect your drone's performance and is not recognized or certified by any drone manufacturer. Operate at your own risk and responsibility.